

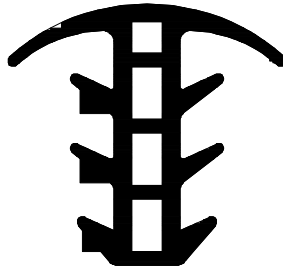
**Profiles of rubber, sponge rubber,
silicone, foam silicone**

T-Profiles

TP

Solid rubber

Legend



9999

means

Profile-No.

EP / s / 9999

means

Quality / Colour / Article-No.

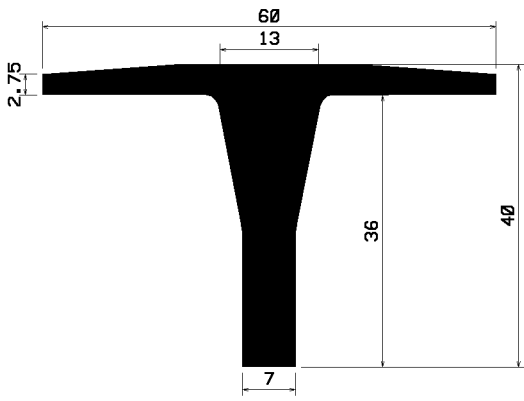
Quality

CR	Neoprene
EP	EPDM
NBR	Perbunan
NK	Natural rubber
Si	Silicone
SPS	Foam silicone
FPM	VITON [®]
PVC	Soft-PVC
EVA	Ethylenvinylacetat
SBR	Buna (Styrol-Butadien)
TPE	Thermoplast. Elastomer

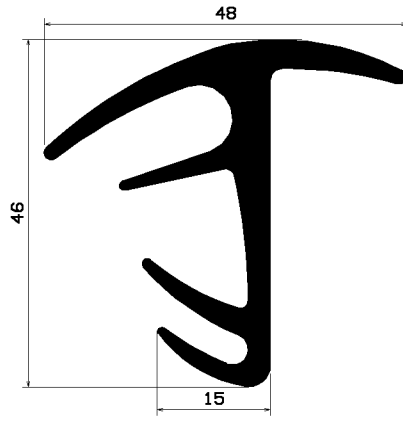
Colours

s	black
g	grey
w	white
az	anthracite
bg	beige
br	brown
hg	light-grey
rb	red-brown
t	translucent
r	red
x	colour selectable

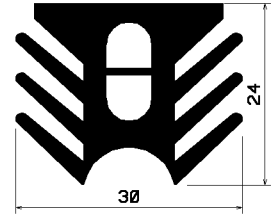
[®] = Entered registered trade mark of the company DuPont



235
EP/s/ 2035



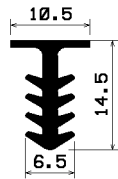
271
EP/s/ 2593



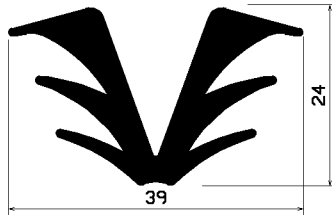
398
EP/s/ 2721



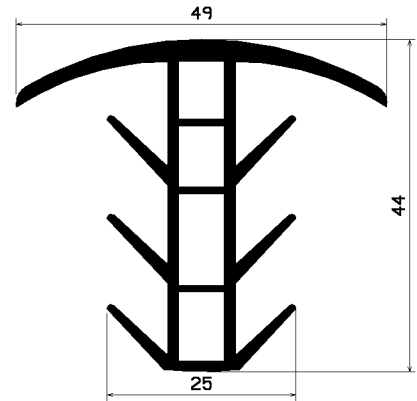
461
EP/s/ 7105



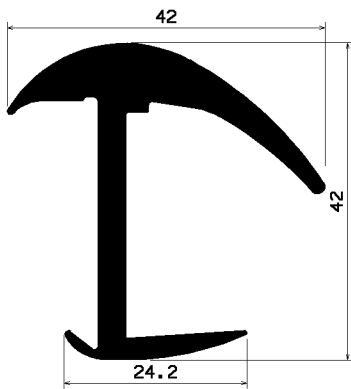
491
EP/s/ 2885



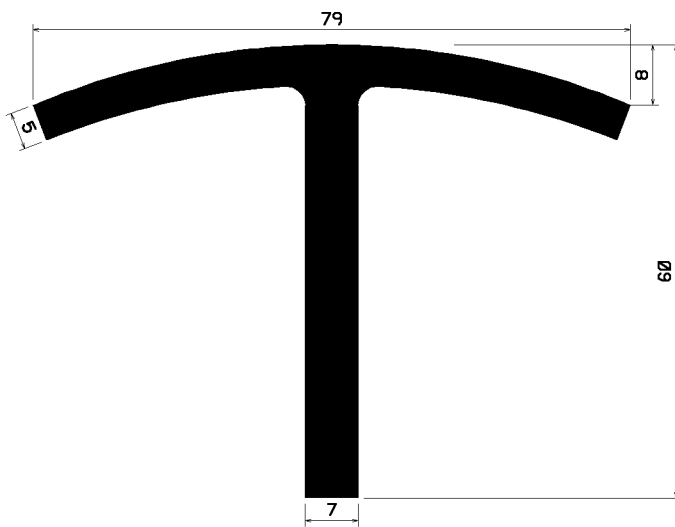
537
EP/s/ 2877



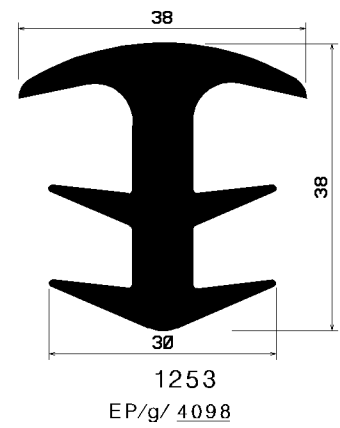
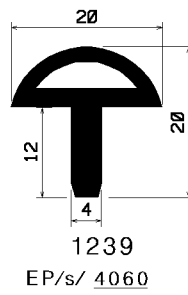
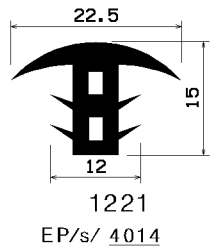
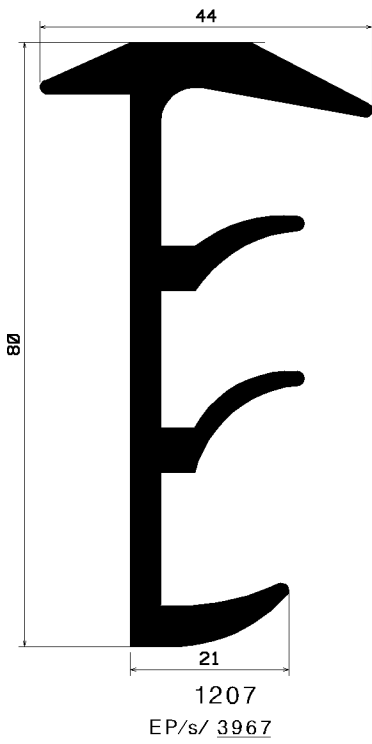
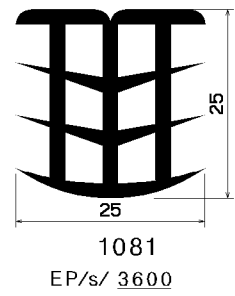
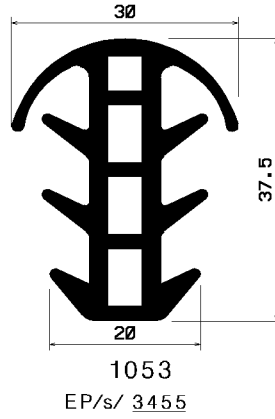
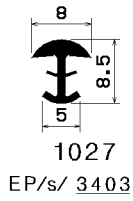
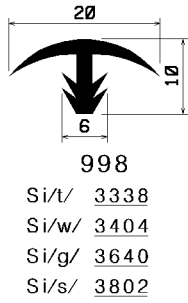
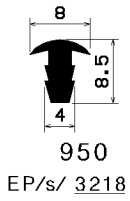
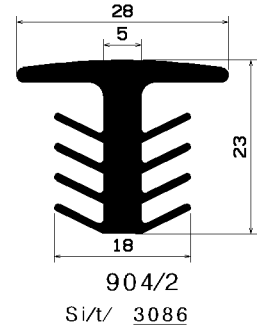
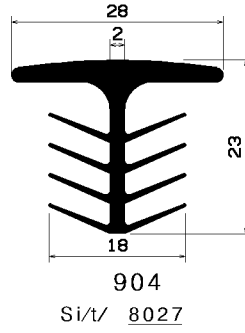
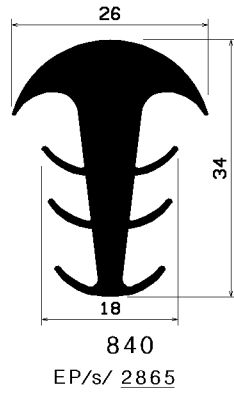
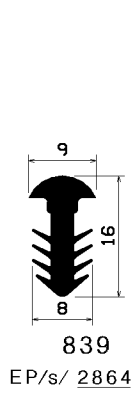
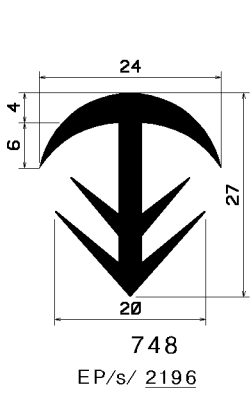
636
TPE/s/ 3383
EP/s/ 7858

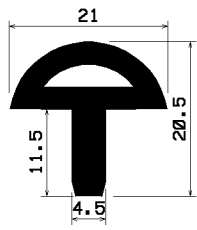


740
EP/s/ 2124

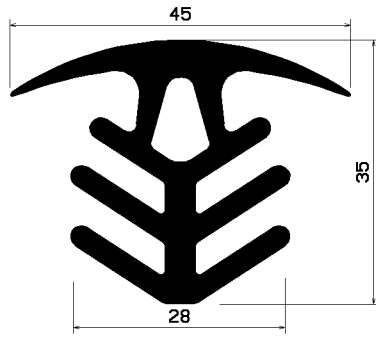


742
EP/s/ 2175

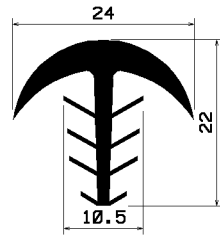




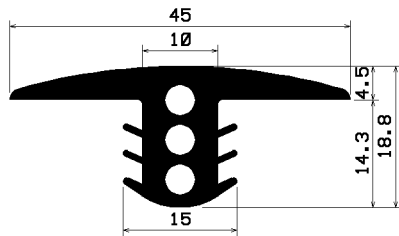
1267
EP/s/ 4142



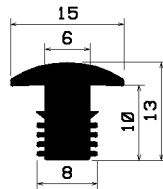
1349
EP/g/ 1191



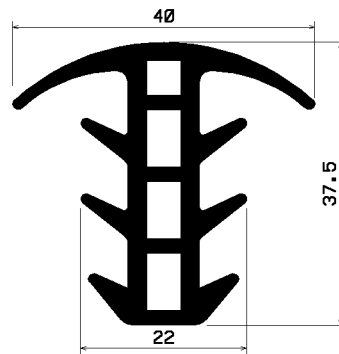
1437
CR/s/ 3480



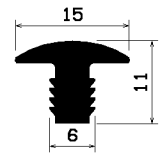
1457
PVC/or/4536
PVC/bl/4537
NBR/s/ 6799



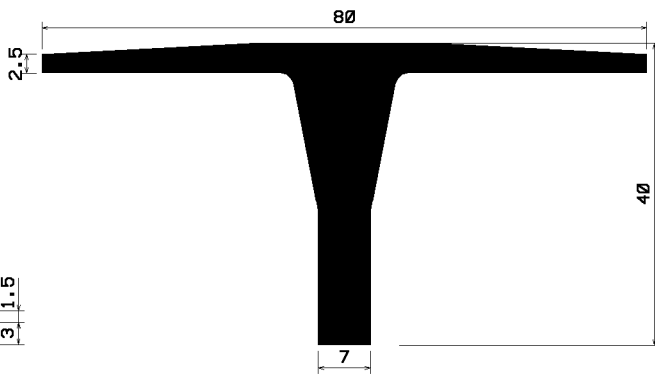
1471
EP/s/ 4603



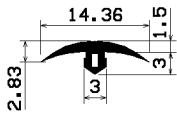
1479
EP/s/ 4700



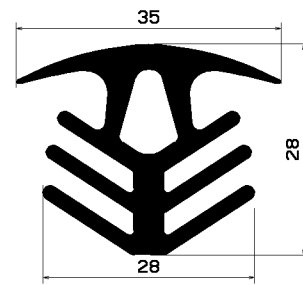
1486
EP/s/ 4666



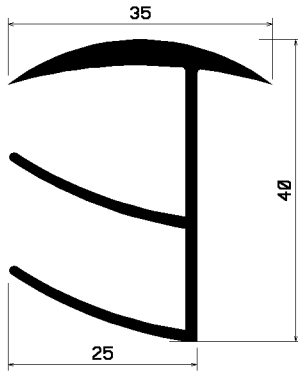
1550
EP/s/ 4773



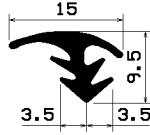
1526
EP/s/ 5729



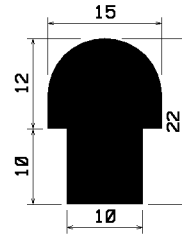
1559
EP/s/ 4888



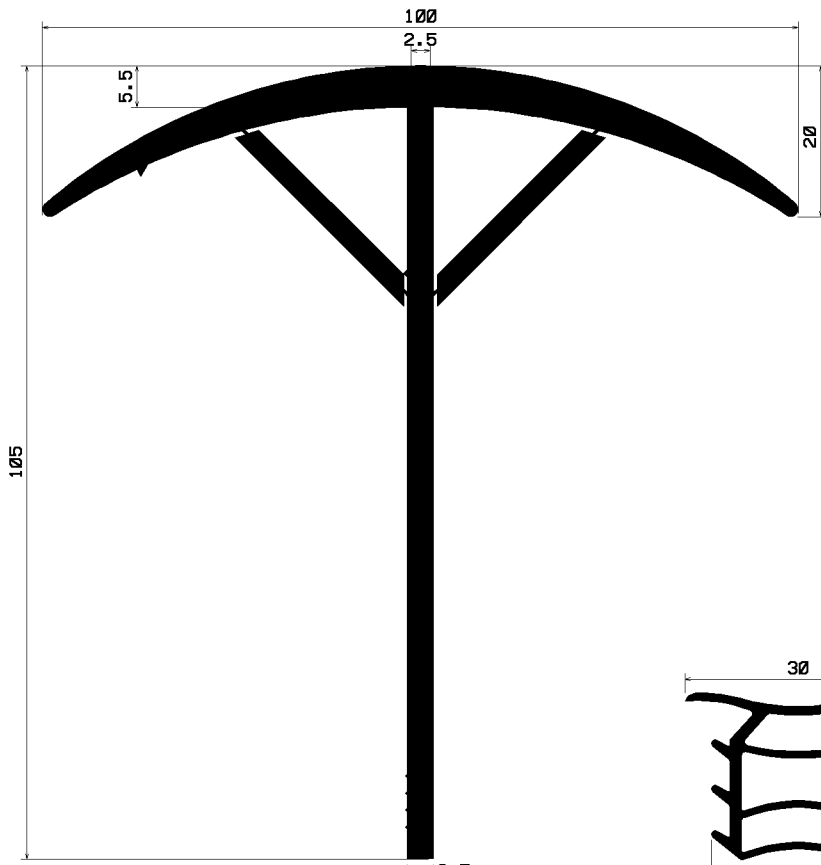
FA1560
/s/ 4998



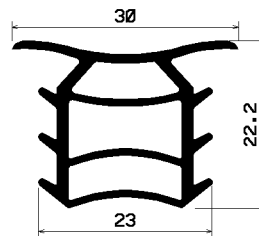
1675
EP/s/ 5726



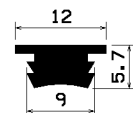
1701
Si/V/ 5776



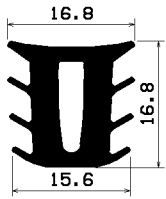
1711
EP/s/ 5860



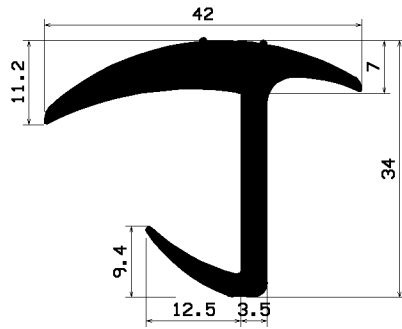
1717
EP/s/ 5859



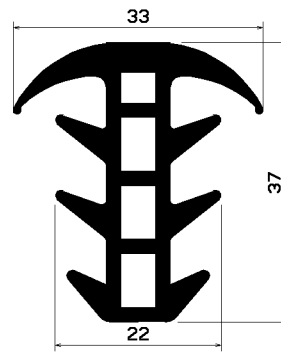
1742
Si/V/ 5967



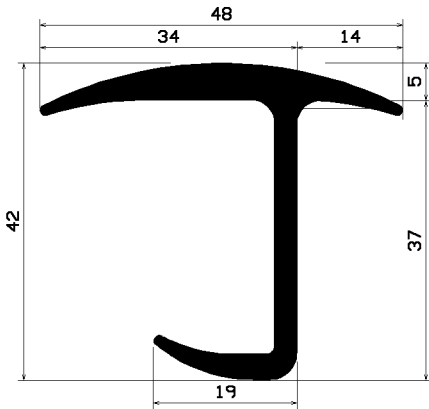
1829
EP/s/ 6204



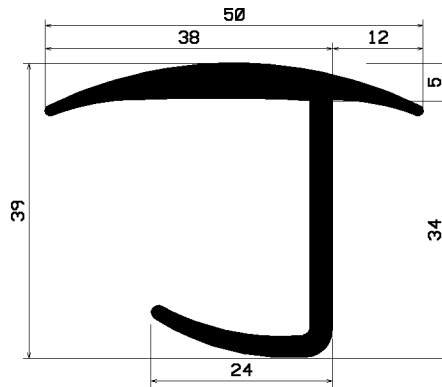
1945
EP/s/ 6840



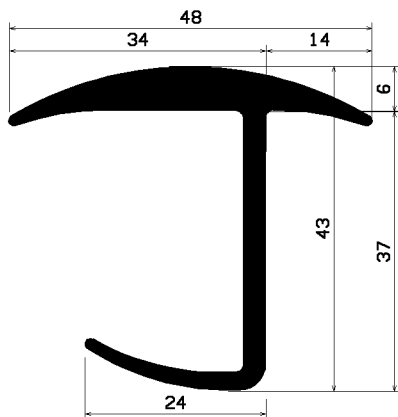
1982
EP/s/ 6936



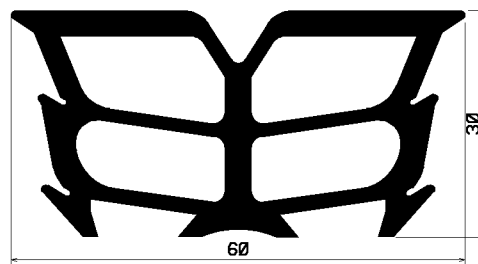
2050
EP/s/ 7115



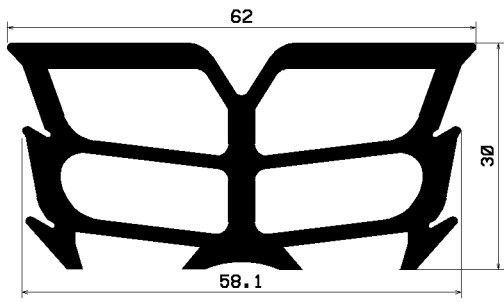
2051
EP/s/ 7116



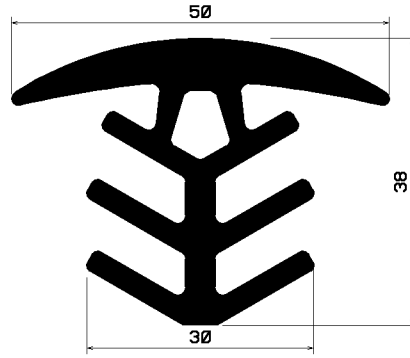
2052
EP/s/ 7117



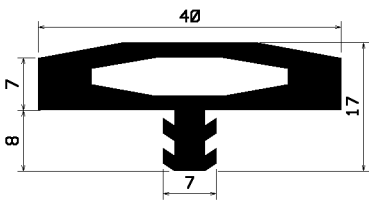
2068
EP/s/ 7167



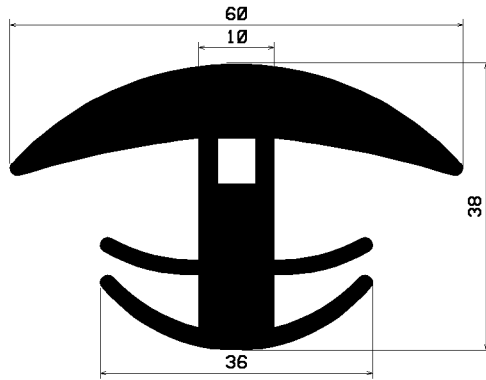
2087
EP/s/ 7241



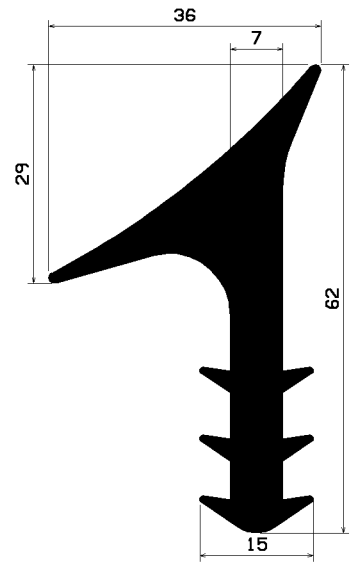
2102
EP/s/ 7271



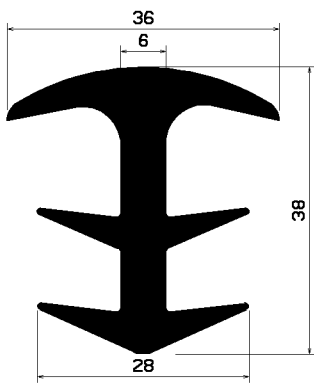
2114
Si/I/ 7303



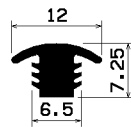
2169
EP/s/ 7621



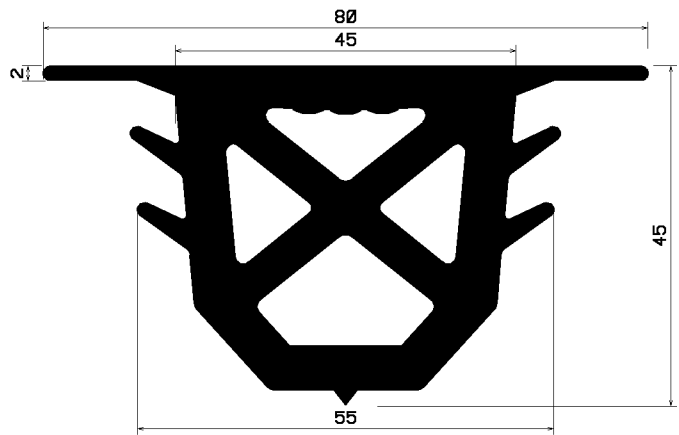
2247
EP/s/ 7851



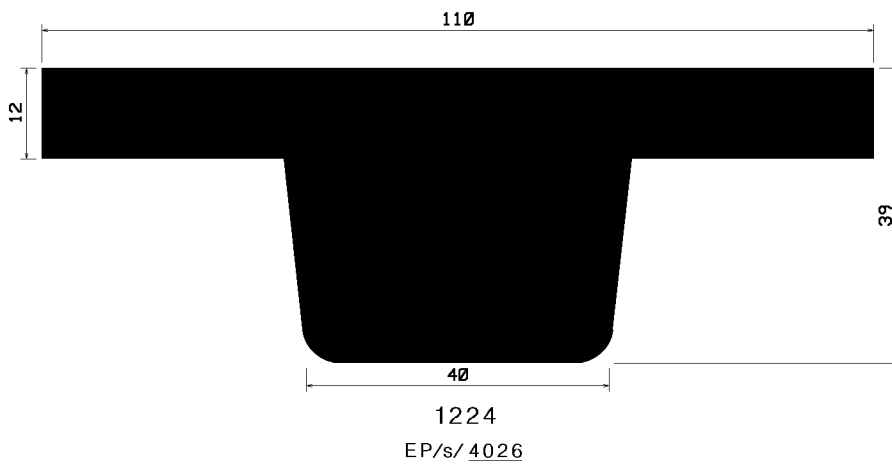
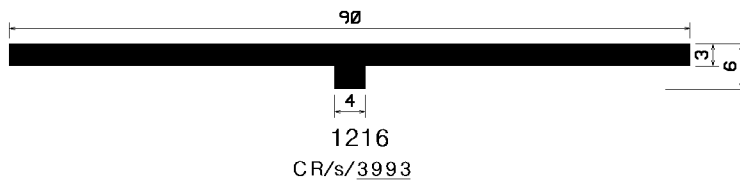
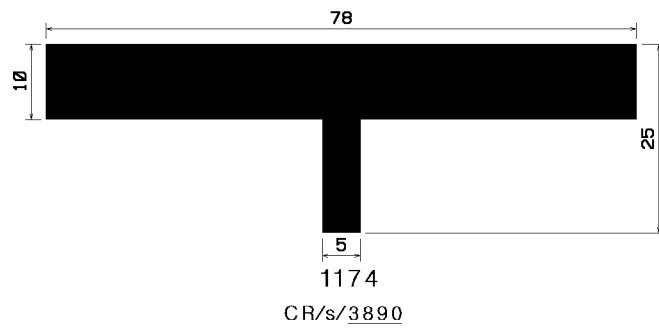
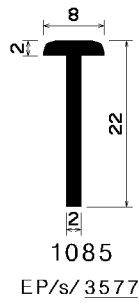
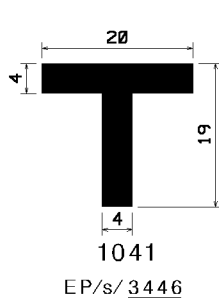
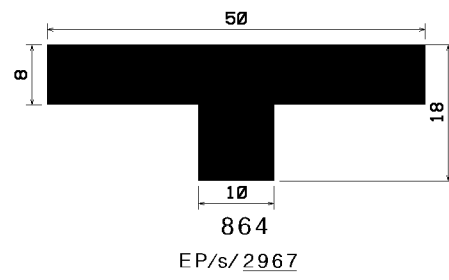
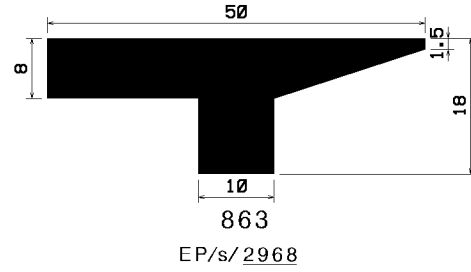
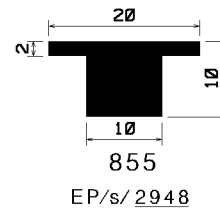
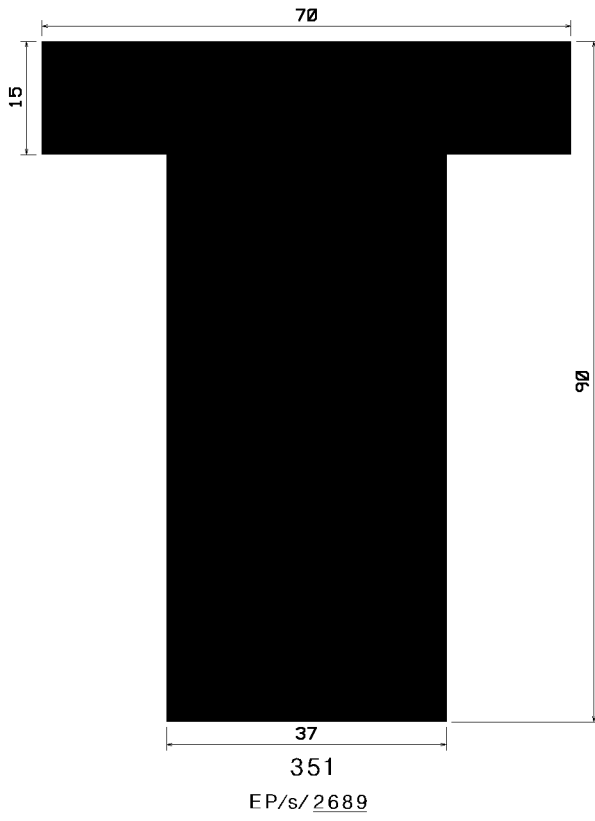
2285
EP/s/ 7980

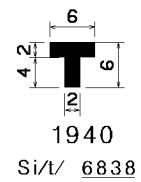
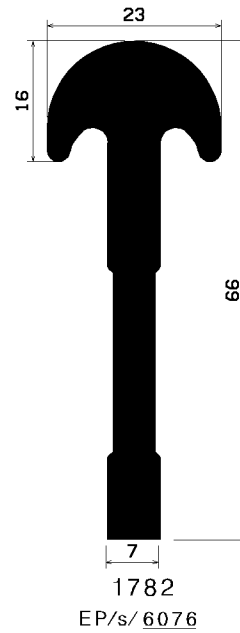
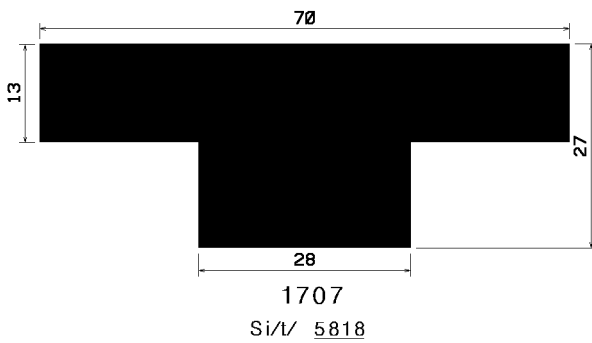
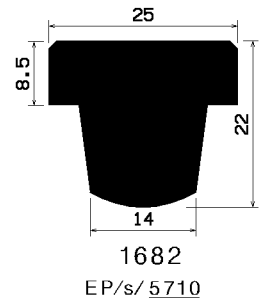
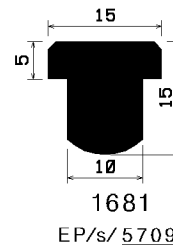
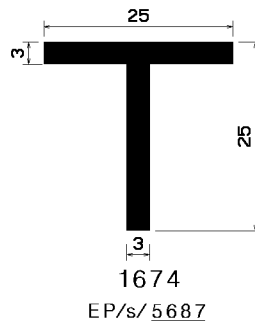
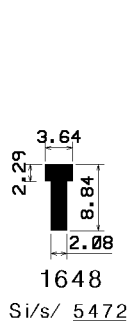
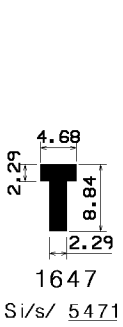
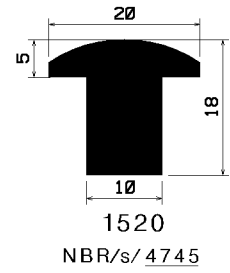
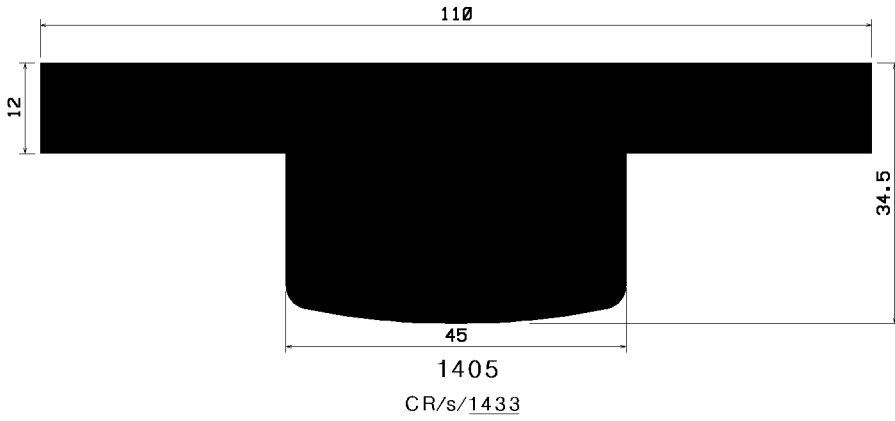
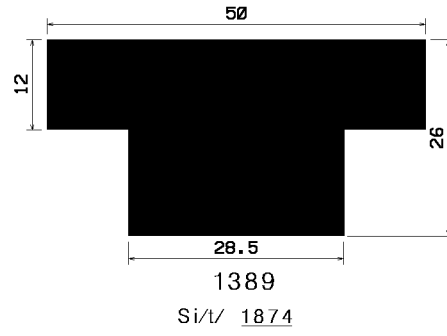
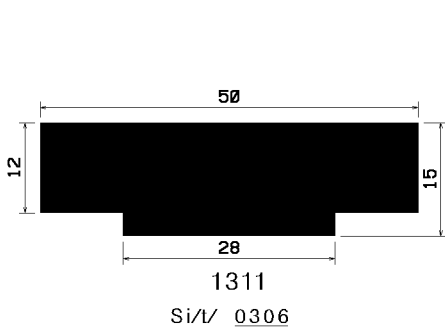


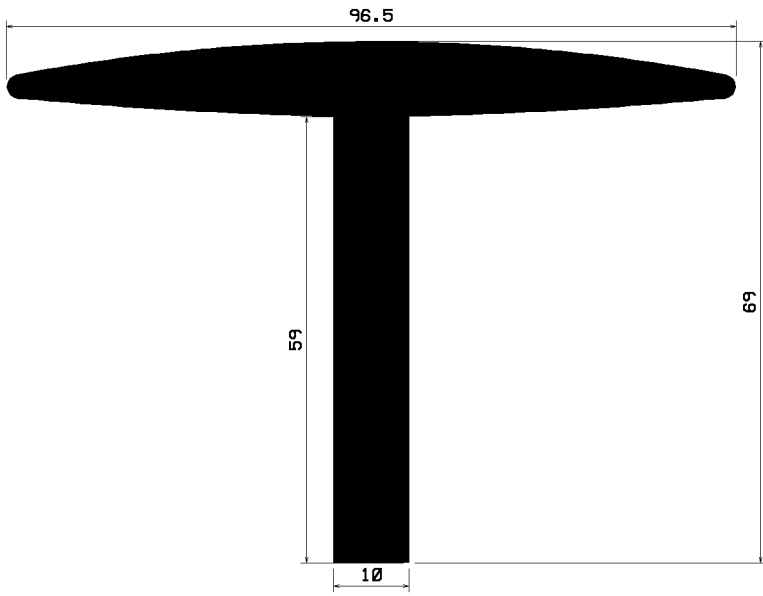
2300
EP/s/ 8065



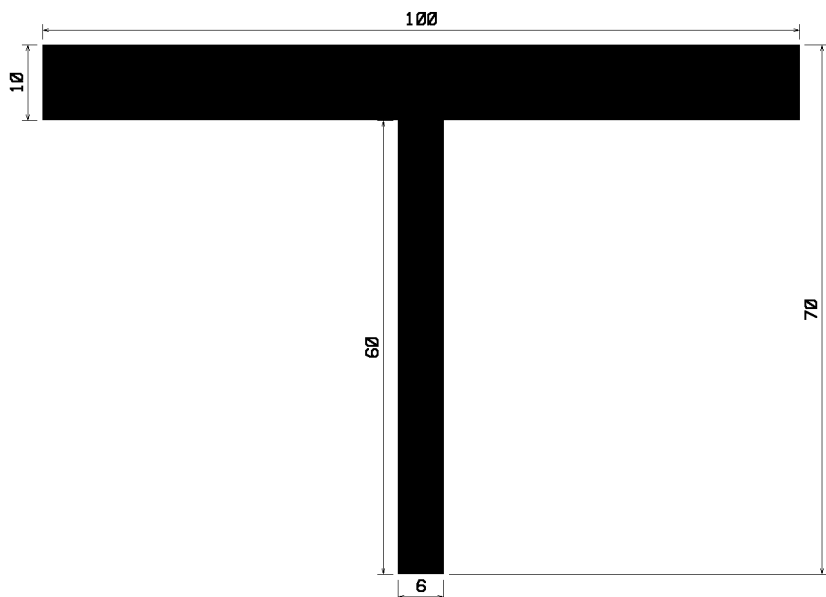
2328
EP/s/ xxxx



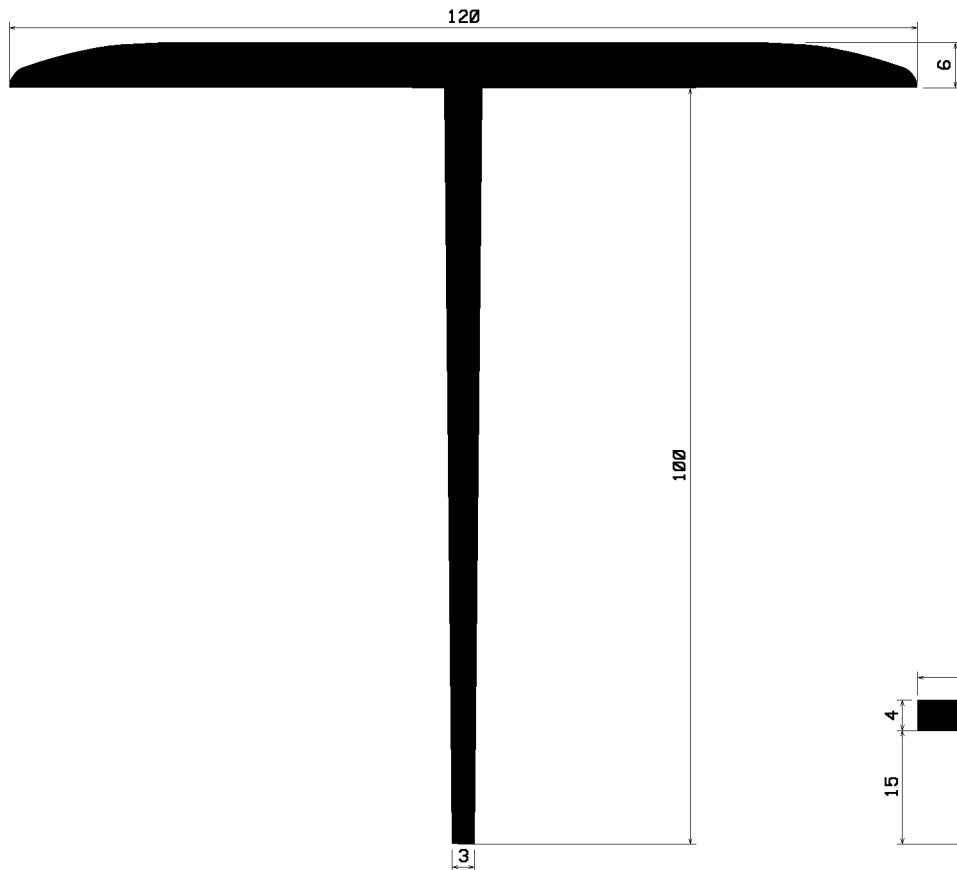




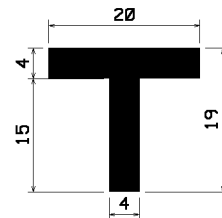
1970
EP/s/6876



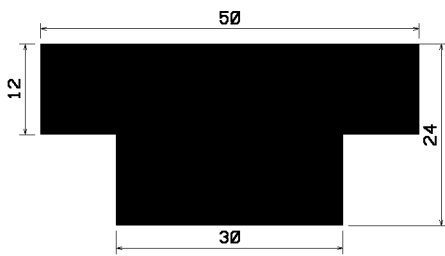
1981
EP/s/6932



2100
EP/s/ 7267



2257
EP/s/ 7899



2353
EP/s/ 8154