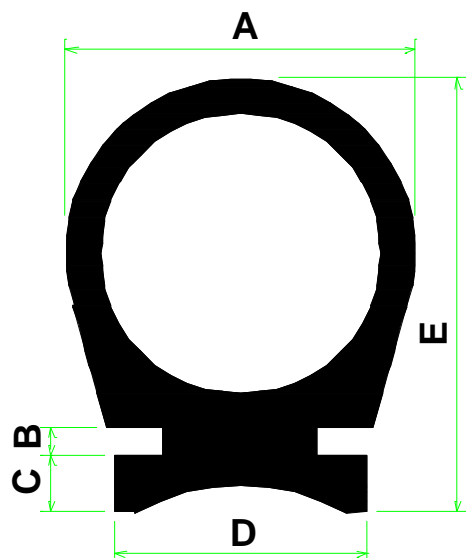


**Profiles of rubber, sponge rubber,  
silicone, foam silicone**

finger guard  
profiles

**FP**

# Legend



**9999**

means

*Profile-No.*

**EP / s / 9999 / (9998)**

means *Quality / Colour / Article-No. / (Article-No. with sa)*

sa = self adhesive

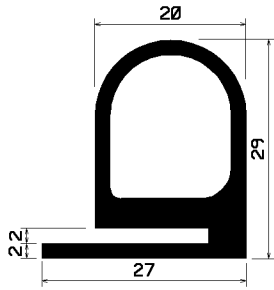
## Quality

CR	Neoprene
EP	APTK/EPDM
NBR	Perbunan
NK	Natural rubber
Si	Silicone
SPS	Foam silicone
FPM	VITON®
PVC	Soft-PVC
EVA	Ethylenvinylacetat
SBR	Buna (Styrol-Butadien)

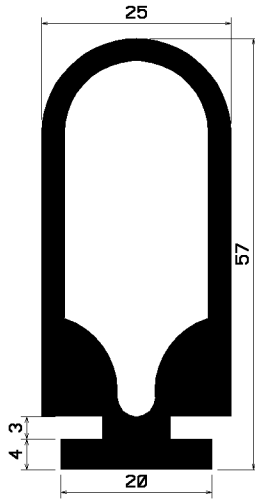
## Colours

s	black
g	grey
w	white
az	anthracite
bg	beige
br	brown
hg	light-grey
rb	red-brown
t	translucent
r	red
x	colour selectable

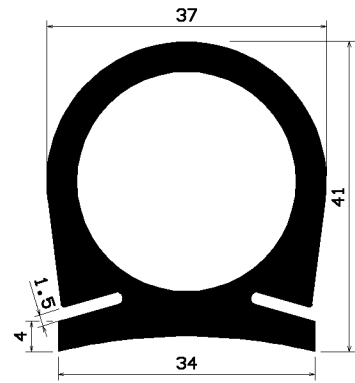
â = Entered registered trade mark of the company DuPont



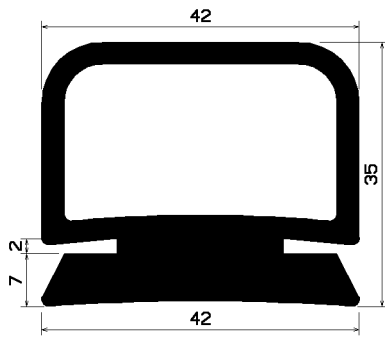
261  
EP/s/ 1710



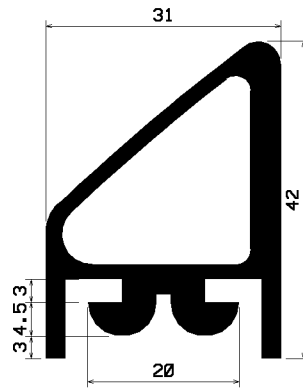
272  
EP/s/ 2254  
SBR/s/ 1711



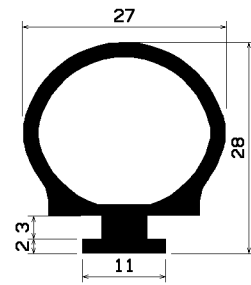
273  
EP/s/ 2122  
SBR/s/ 1712



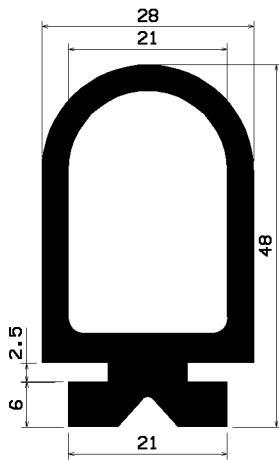
274  
EP/s/ 3188



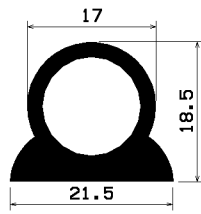
275  
EP/s/ 1218



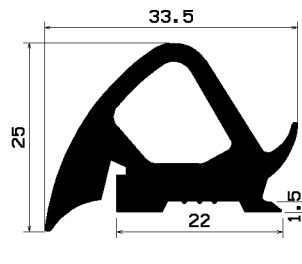
309  
PVC/s/ 2270



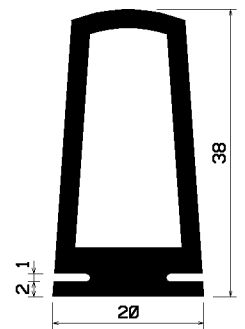
355  
Si/r/ 1715



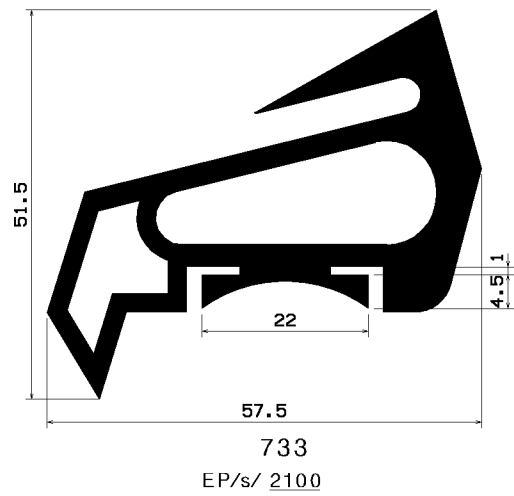
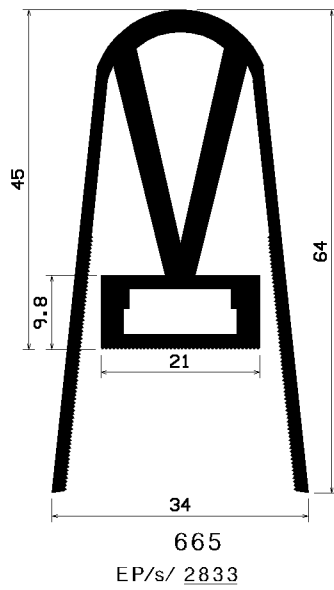
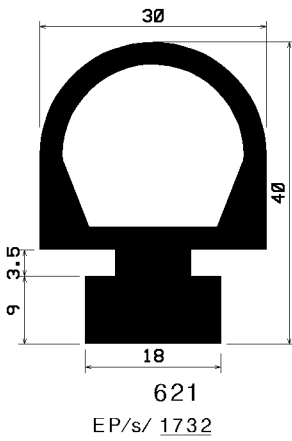
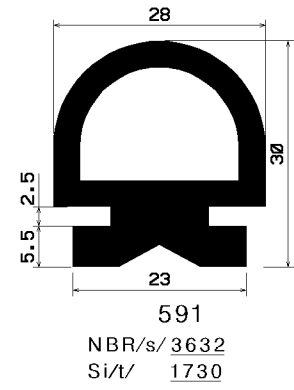
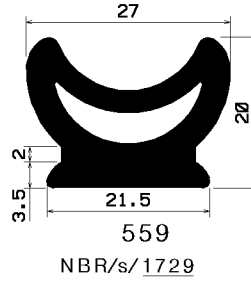
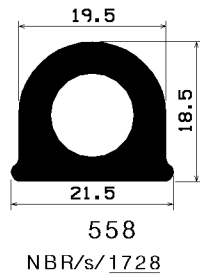
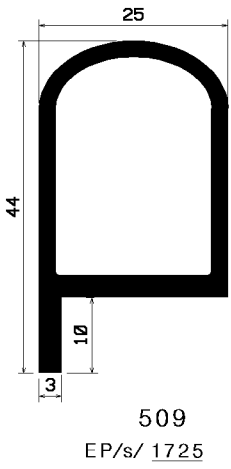
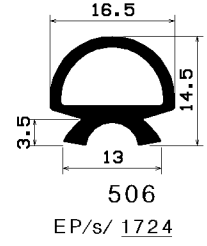
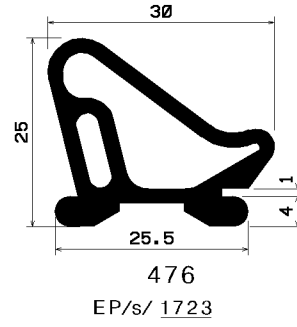
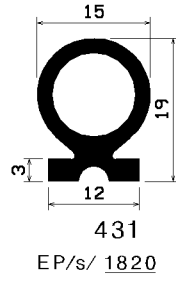
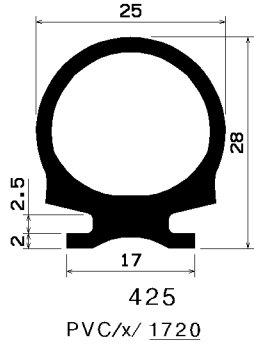
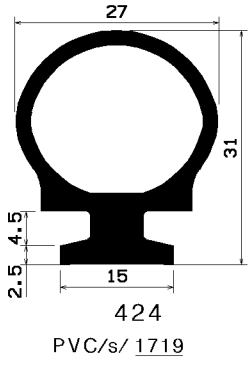
387  
EP/s/ 1717

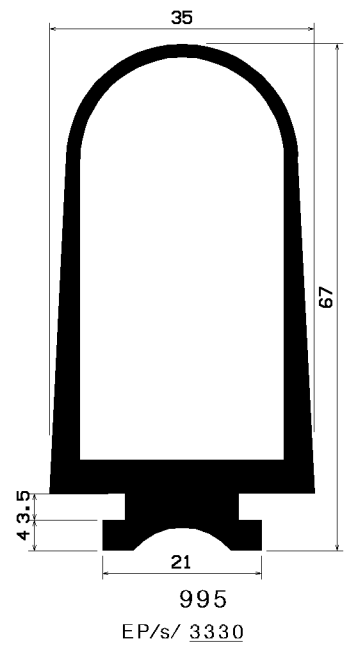
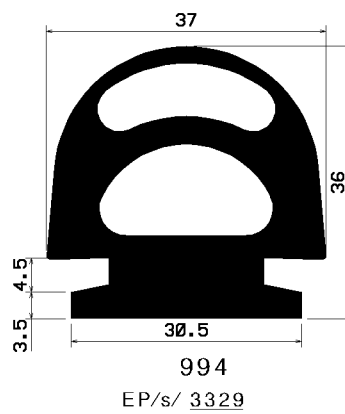
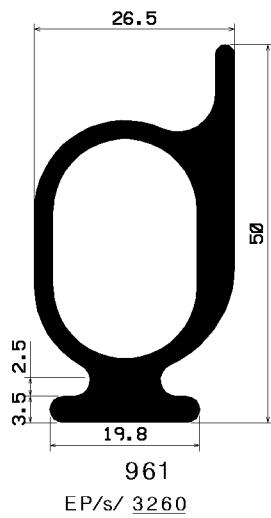
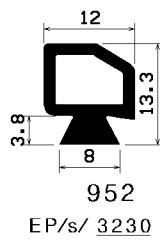
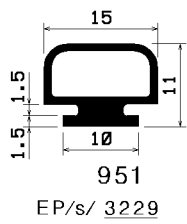
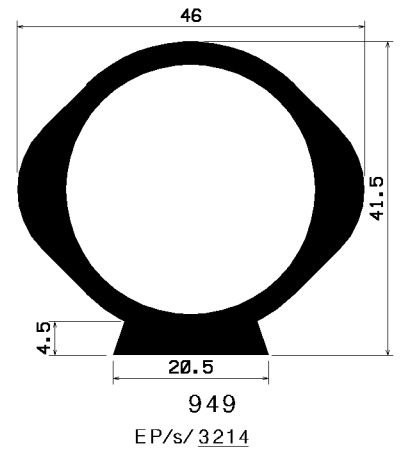
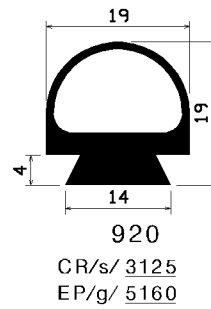
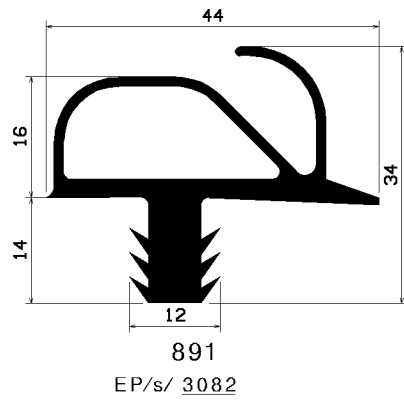
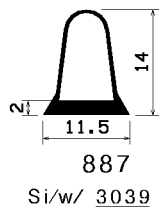
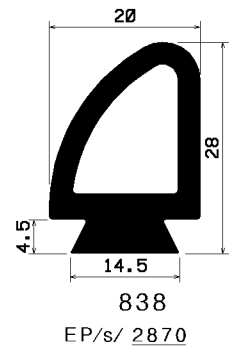
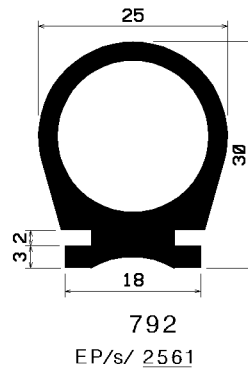
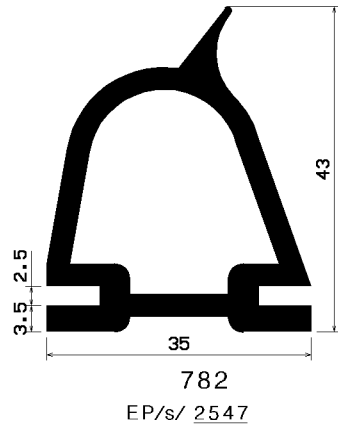
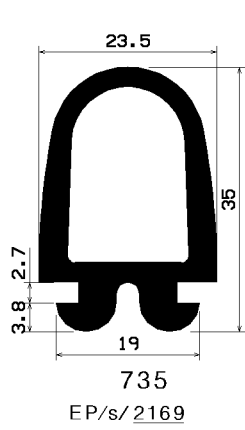


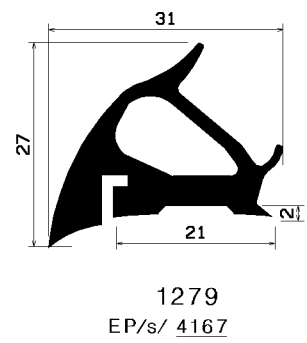
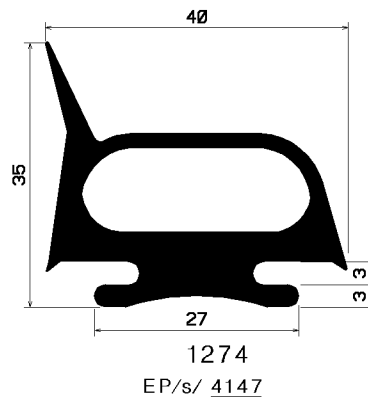
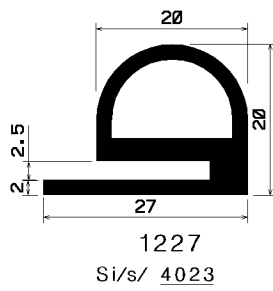
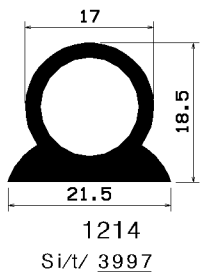
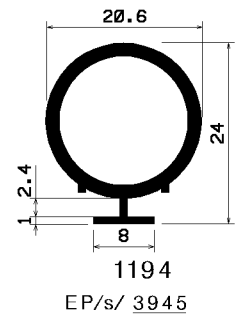
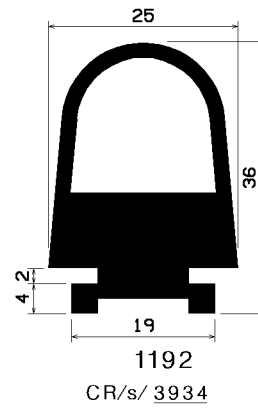
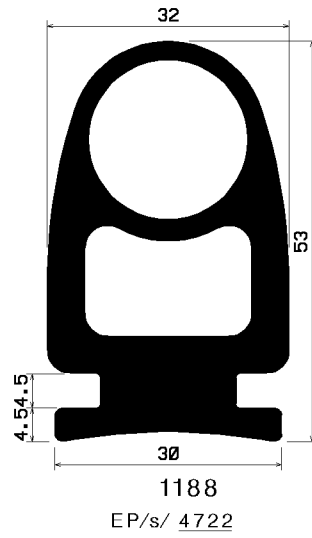
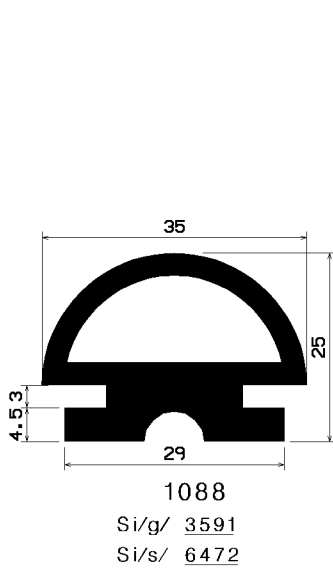
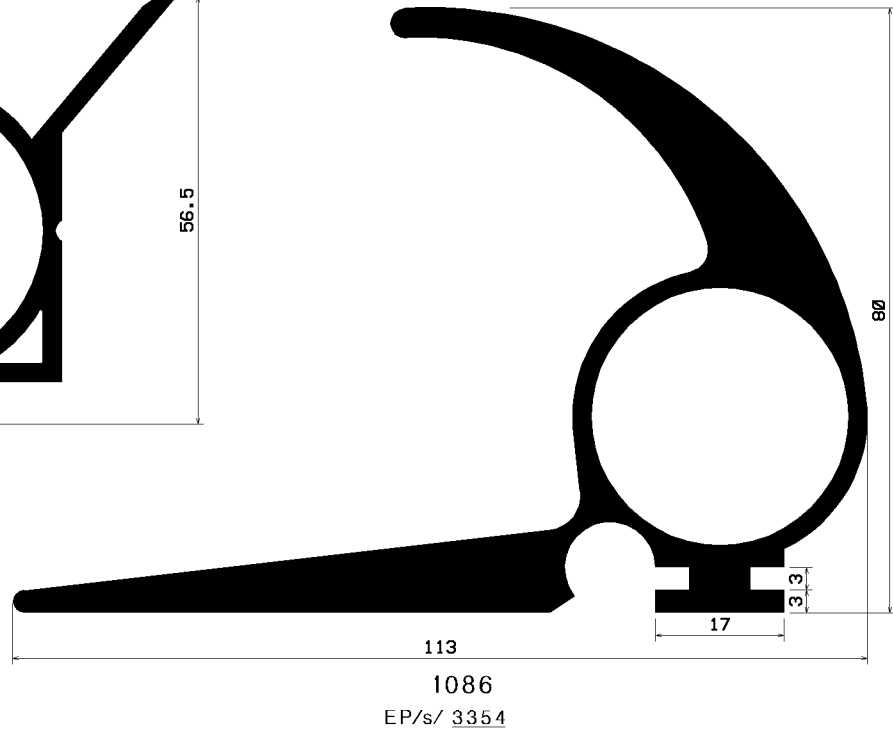
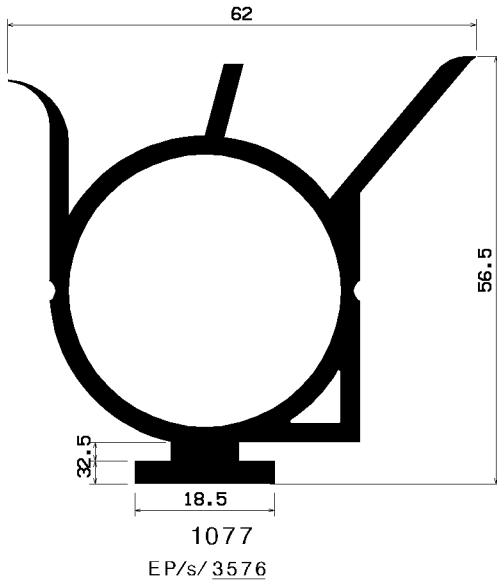
407  
EP/s/ 2909

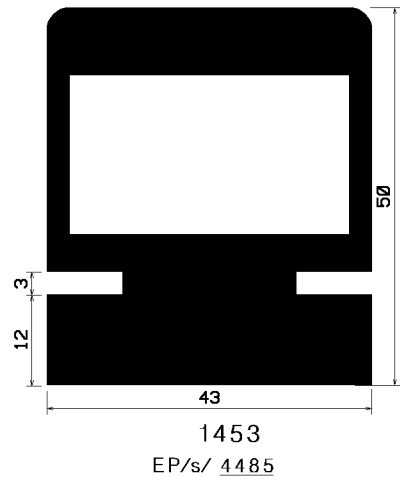
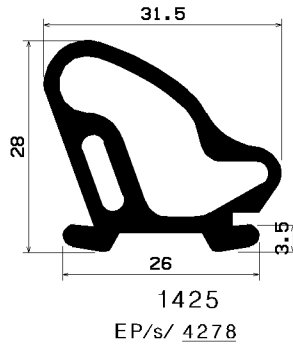
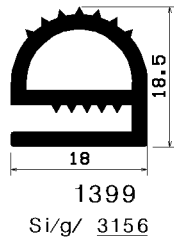
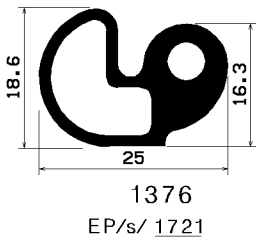
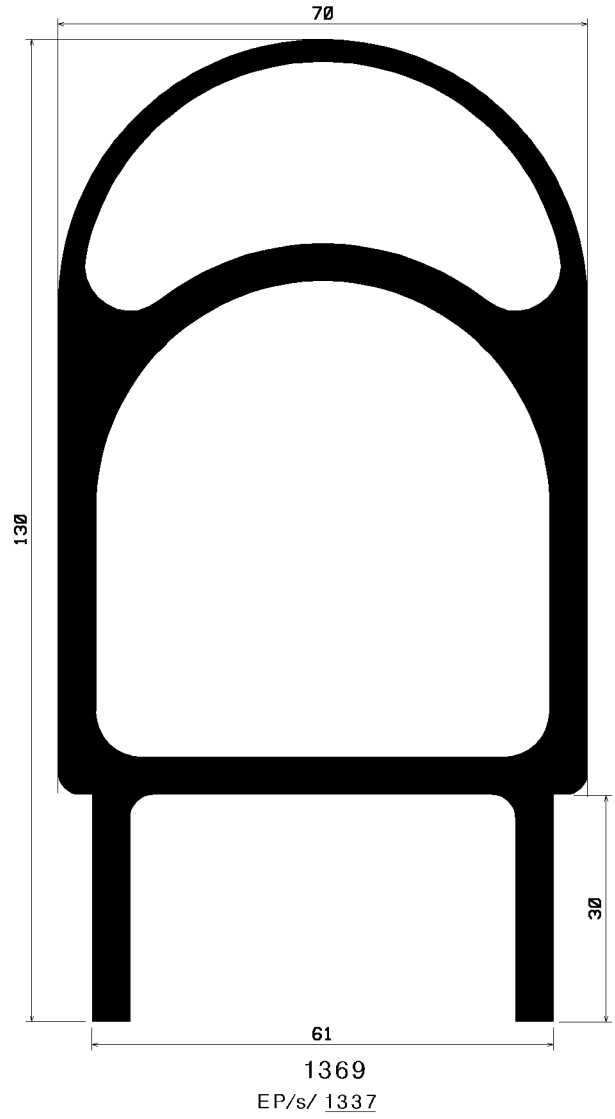
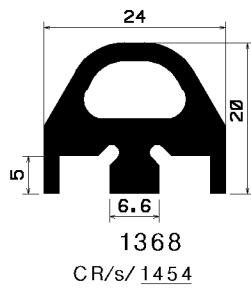
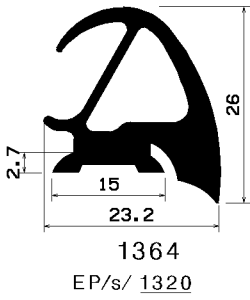
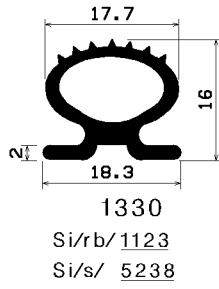
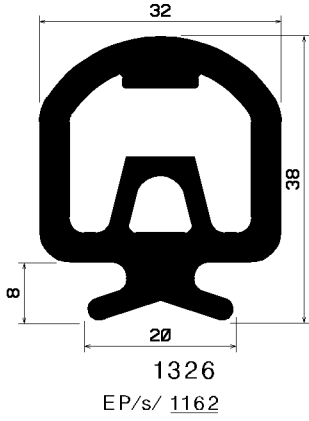
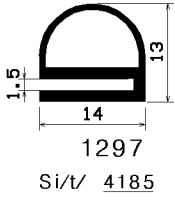


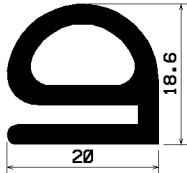
411  
EP/s/ 1718



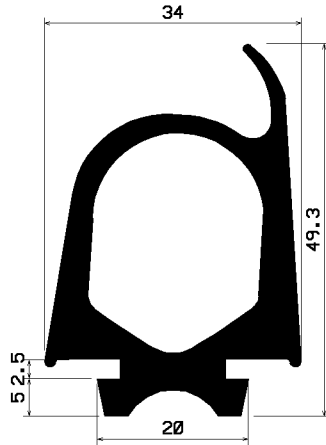




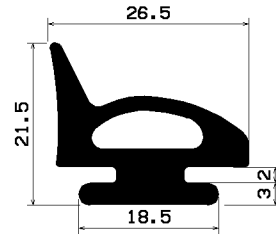




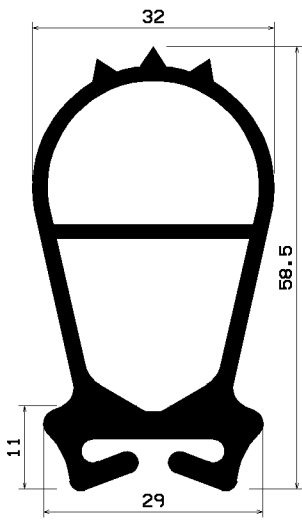
1461  
Si/T/ 4539



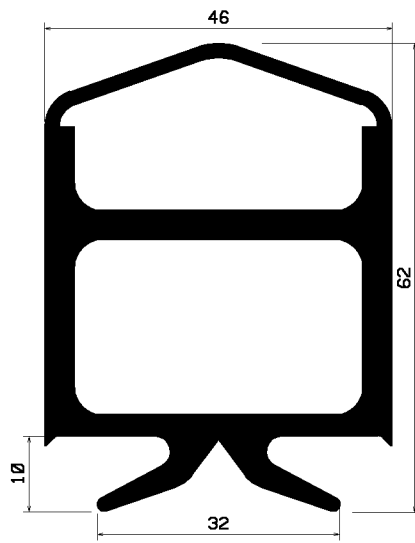
1502  
EP/s/ 4701



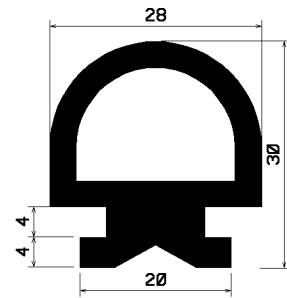
1503  
EP/s/ 4702



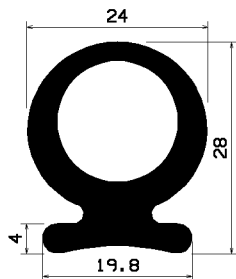
1517  
EP/s/ 4746



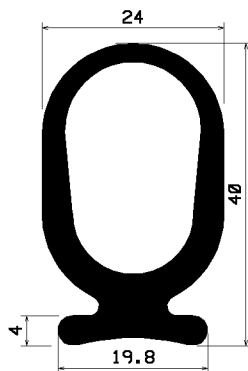
1552  
EP/s/ 4852



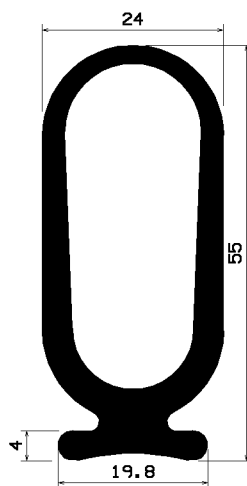
1554  
EP/s/ 4854



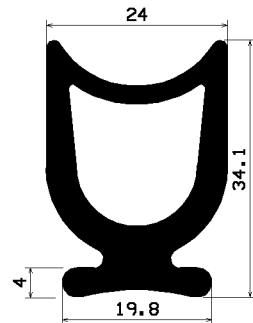
1573  
EP/s/ 4863



1574  
EP/s/ 4657

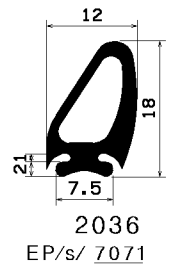
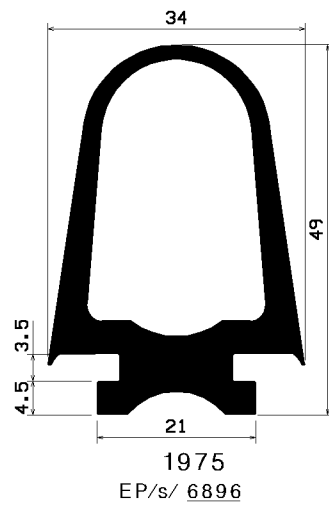
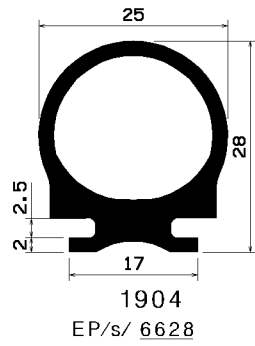
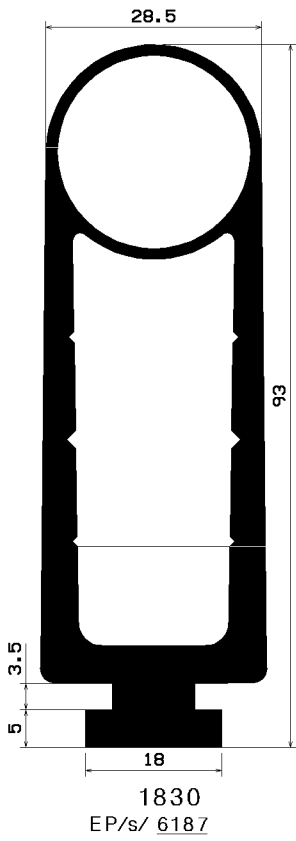
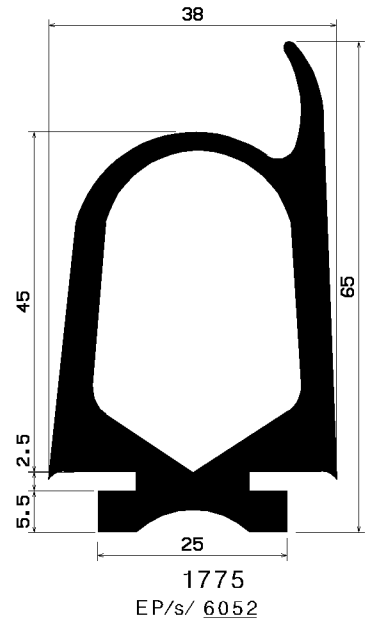
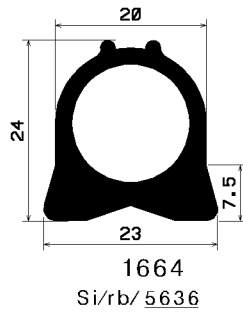
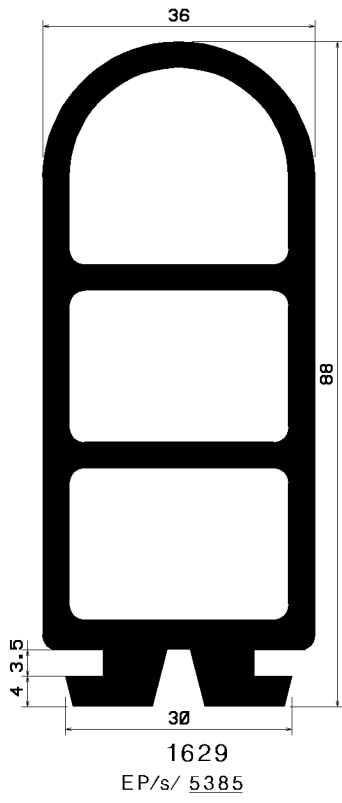
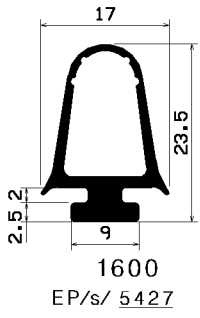
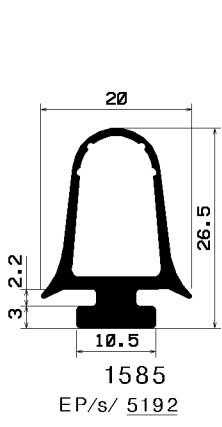


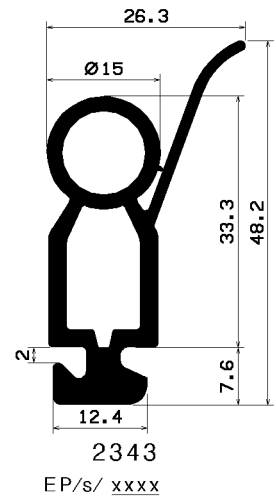
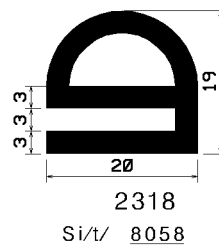
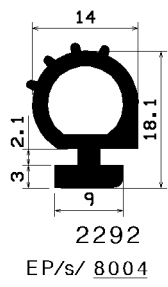
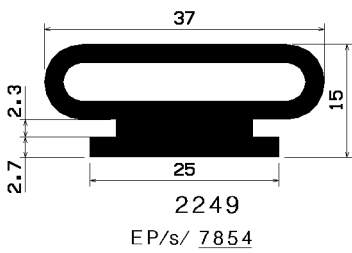
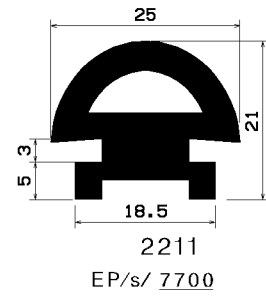
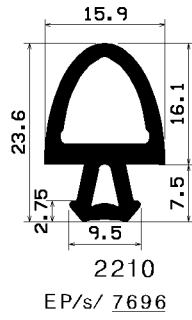
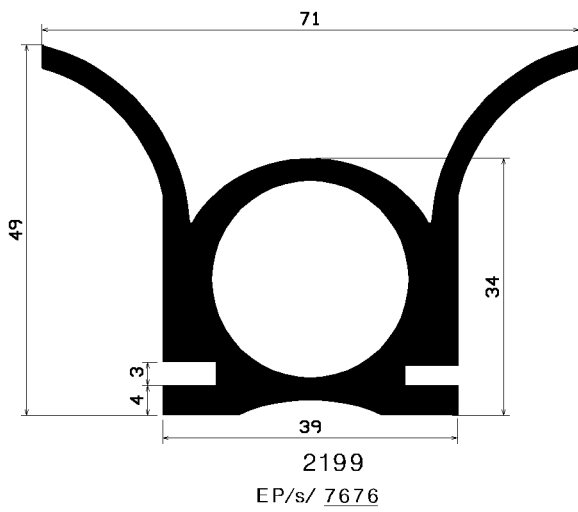
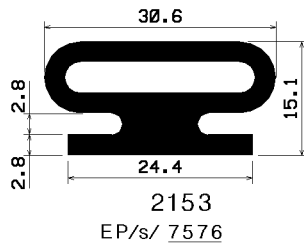
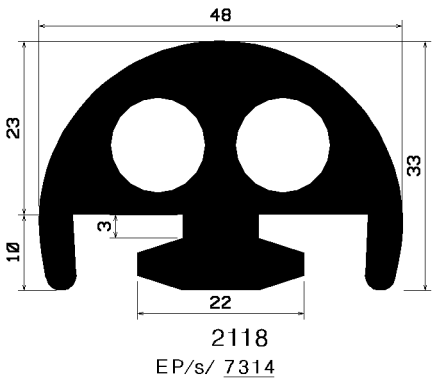
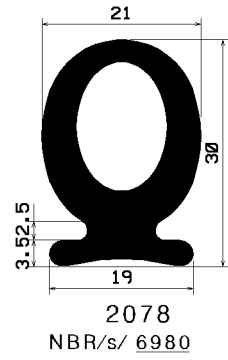
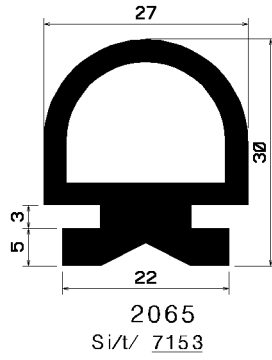
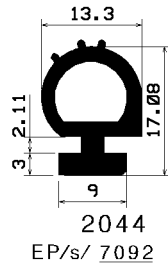
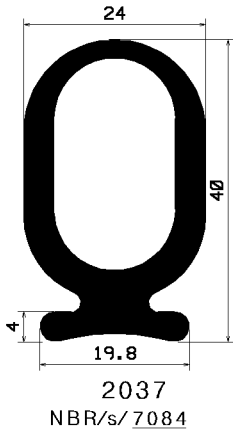
1575  
EP/s/ 5749

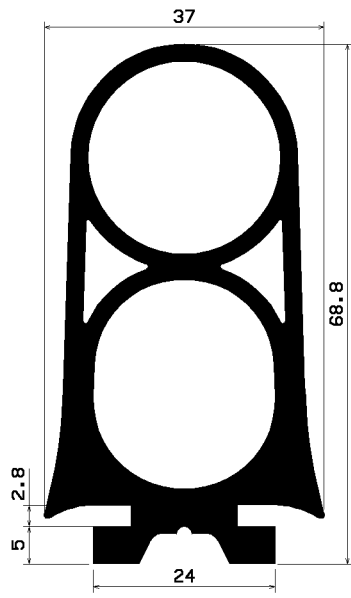


1576  
EP/s/ 5750  
NBR/s/ 6979









2351

EP/s/ 8215